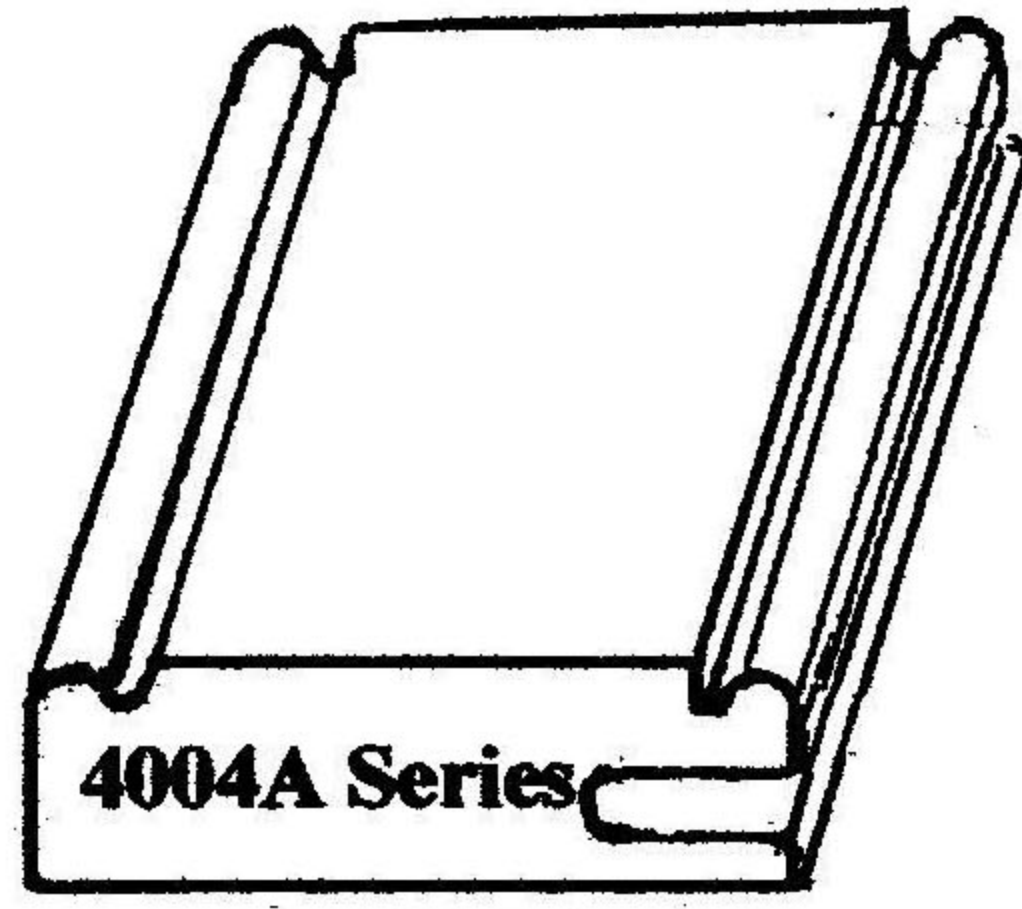


2" and 3" widths
4003S available with Square Eased Edge
or 1/4" Roundover w/ Reveal



2 3/8" and 1 3/4" widths

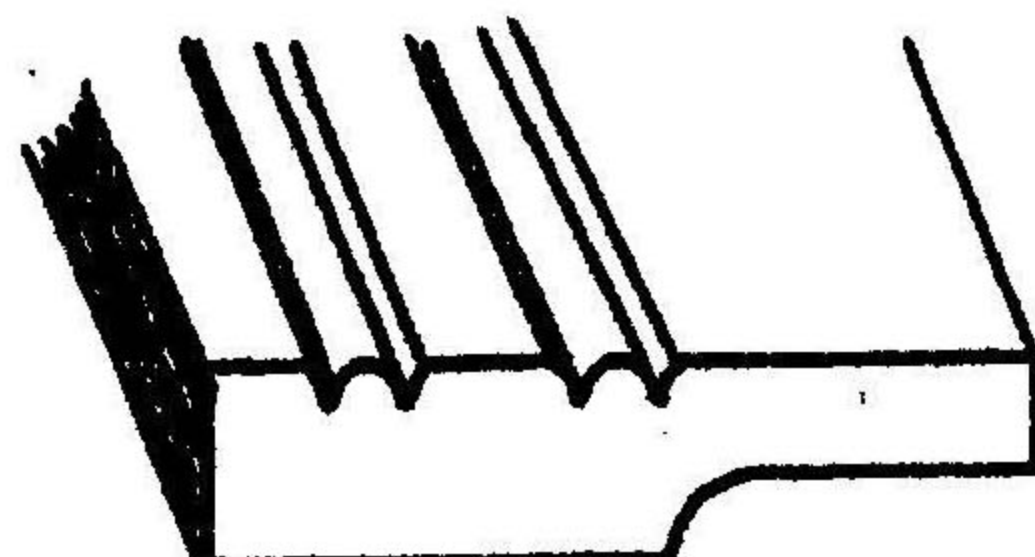


2 3/8" and 1 3/4" widths

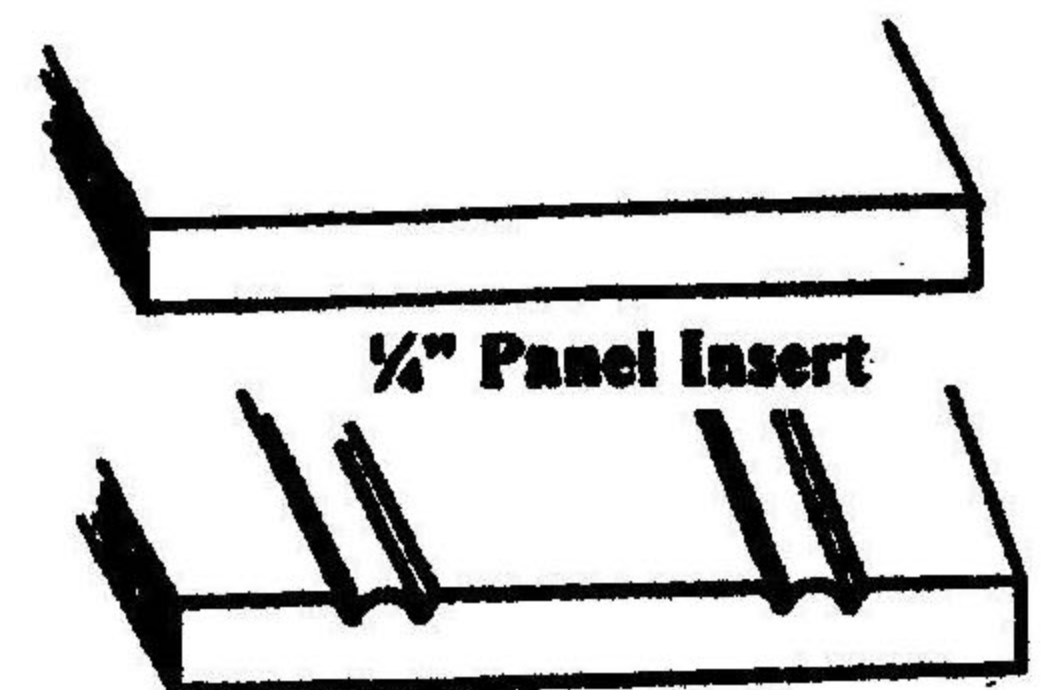
Panel Profiles



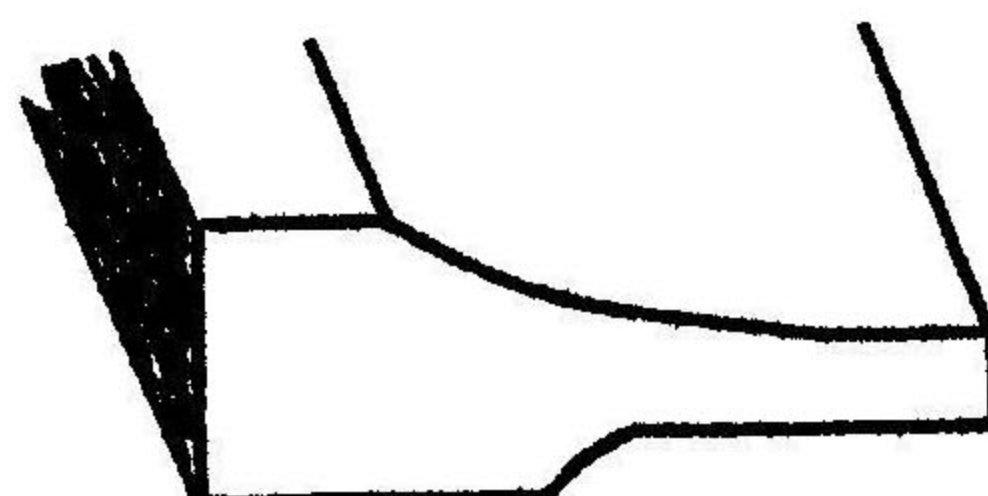
Flat Panel with 1/2" Backcut



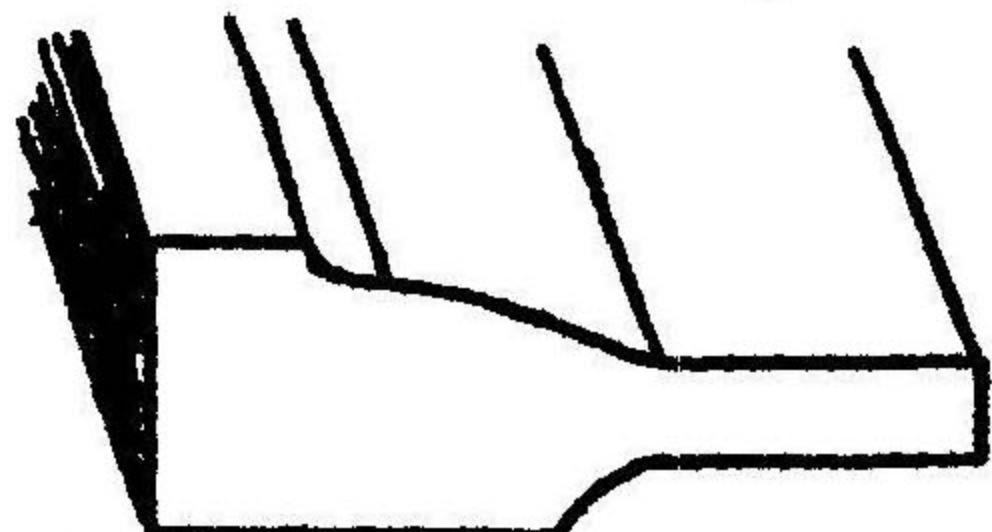
Beaded Panel with 1/2" Backcut



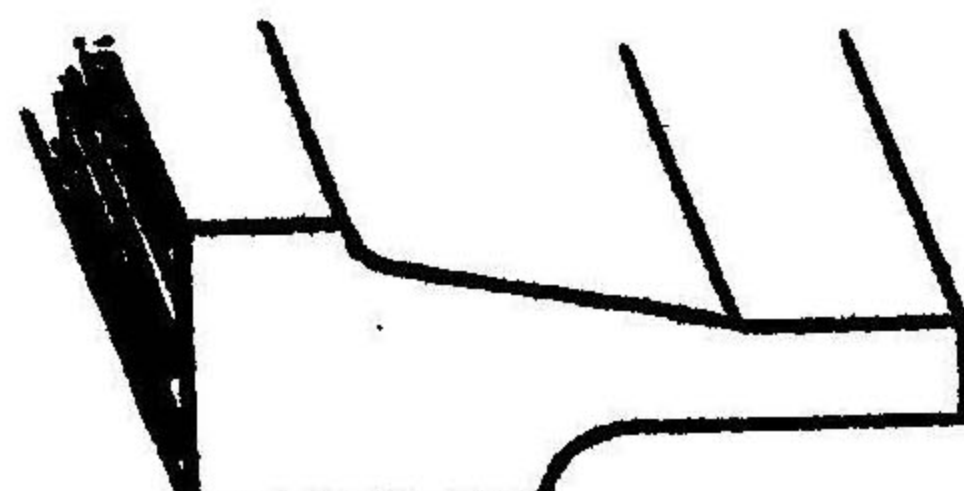
Parkwood Panel with 1/2" Backcut



Cove Panel with 1/2" Backcut



Ogee Panel with 1/2" Backcut



Bevel Panel with 1/2" Backcut